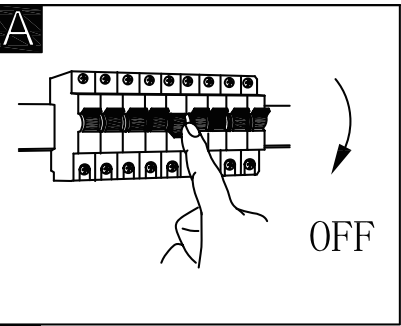


# GLOBO

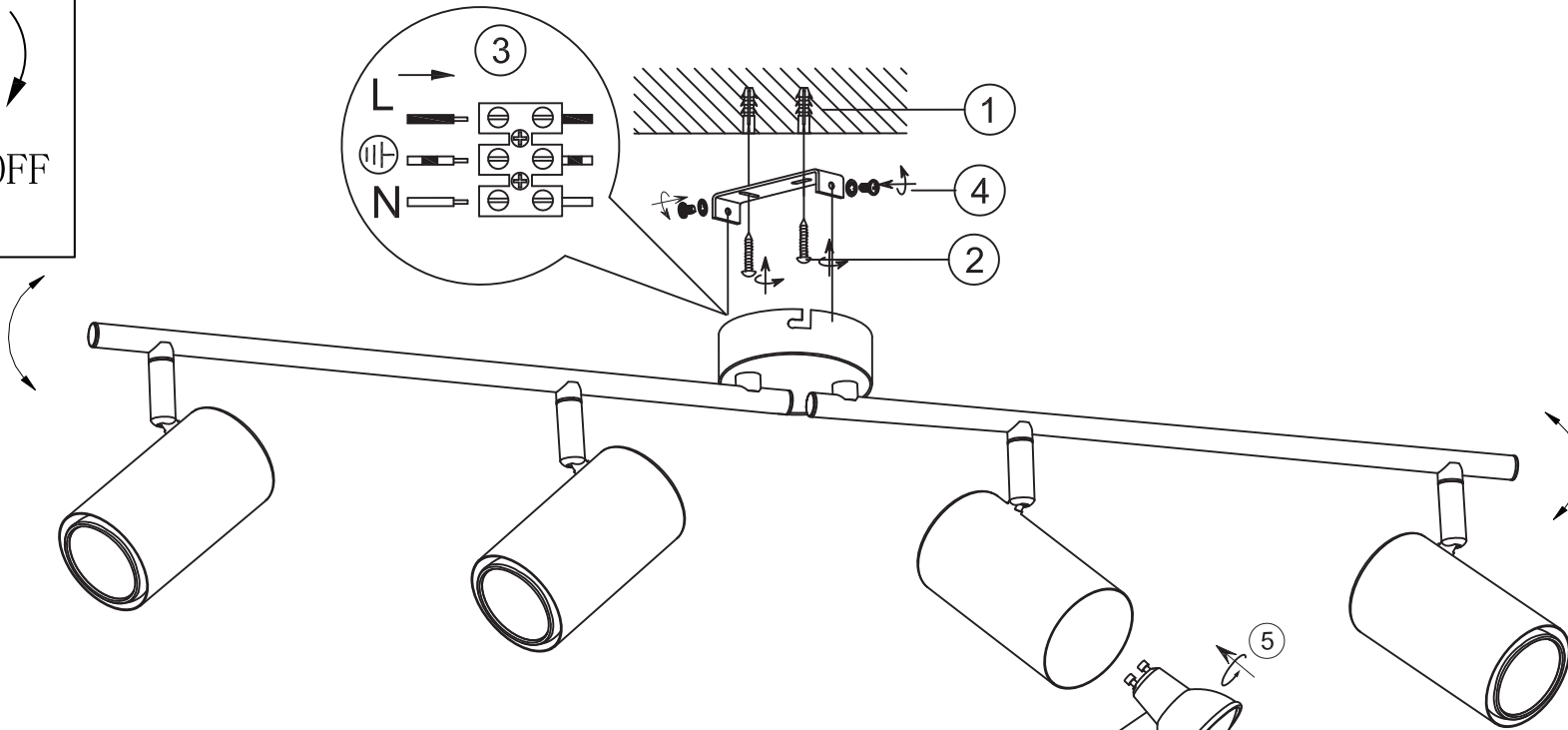
LIGHTING

[www.globo-lighting.com](http://www.globo-lighting.com)

57914-4 57914-4N



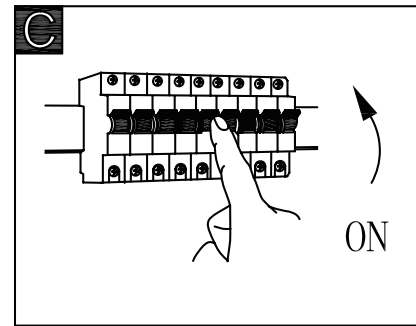
**B**



excl.

incl.

4x MAX 25W GU10  
230V~ 50Hz



GLOBO Handels GmbH  
Gewerbestr. 3  
A-9184 Sankt Peter  
AUSTRIA  
[www.globo-lighting.com](http://www.globo-lighting.com)